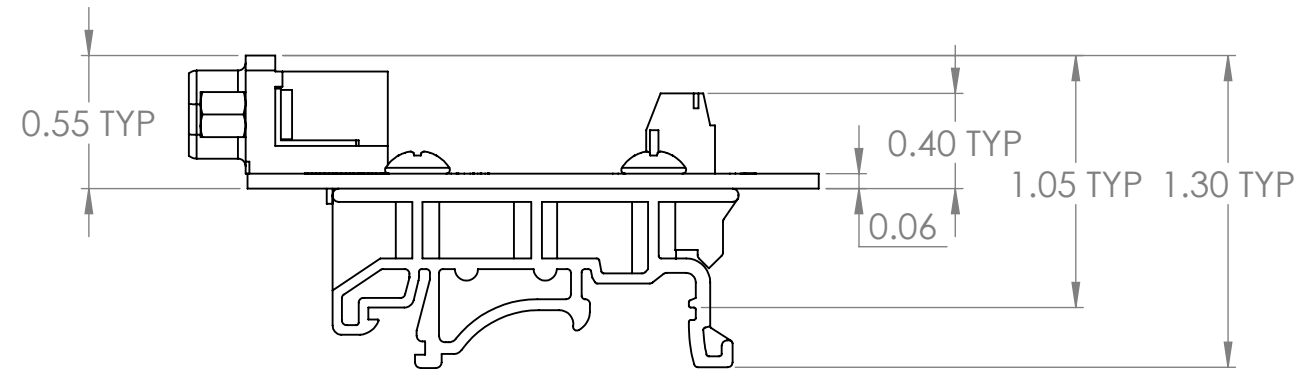
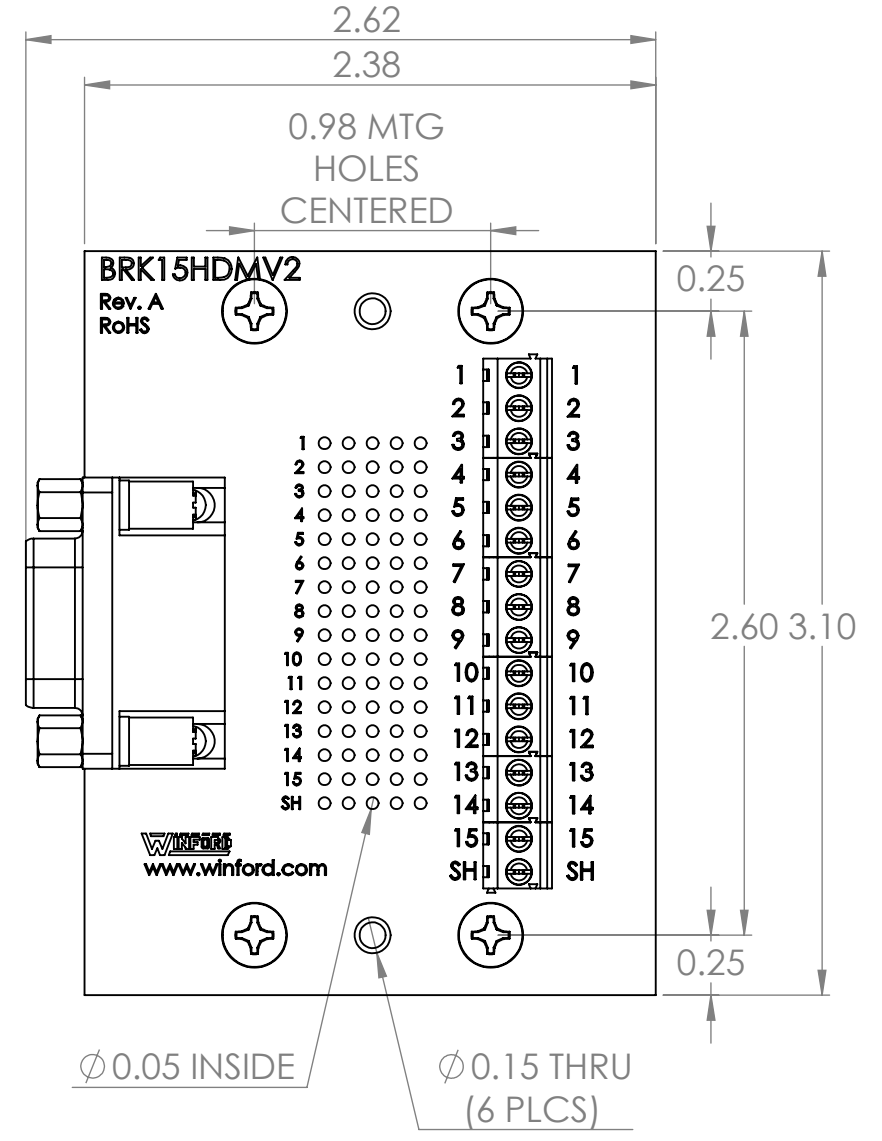
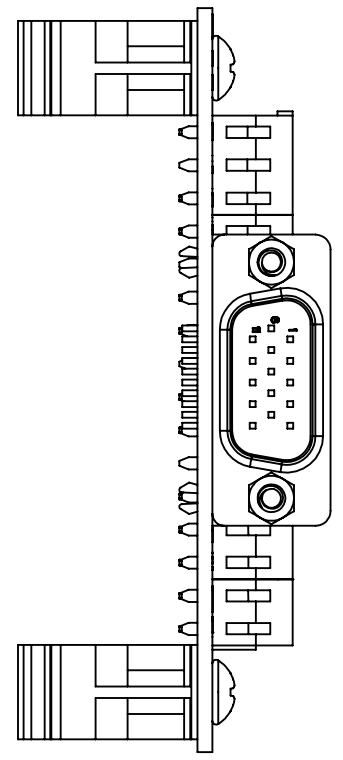


4

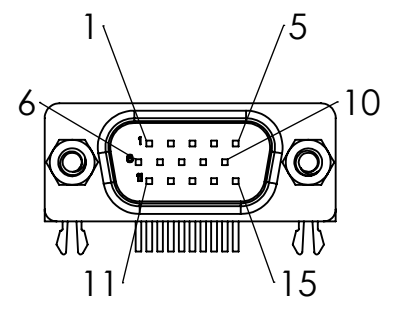
3


2

1



Connector Pinout



| | | | |
|--|------------------|--|--|
| DIM: INCH | DATE: 11/19/2020 | RoHS COMPLIANT: YES | DESCRIPTION: DB15 HD Male Screw Terminal Breakout Board |
|  WINFORD ENGINEERING, LLC 4561 GARFIELD ROAD AUBURN, MI 48611 | | PART NUMBER (S) BRK15HDMV2-R-DIN | PART REVISION A |
| www.winford.com | | 989-671-9721 | |

4

3

2

1