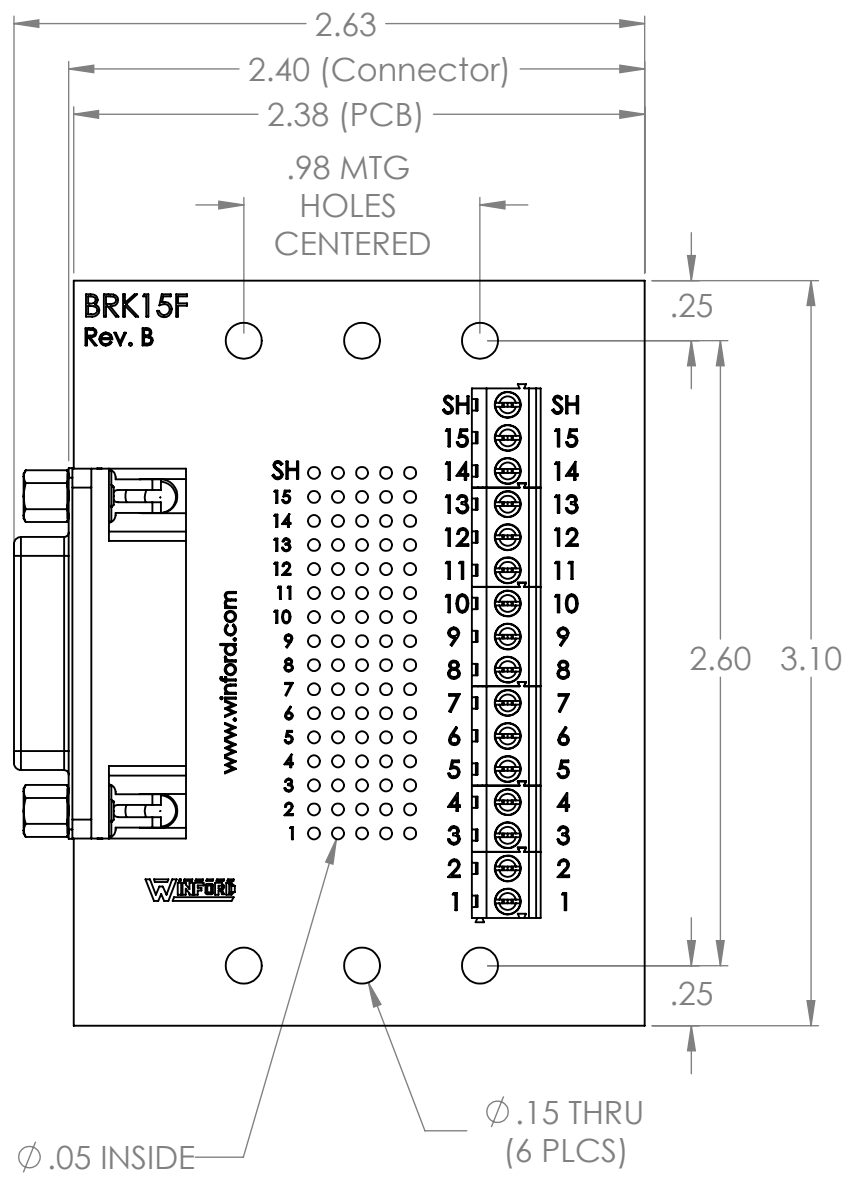
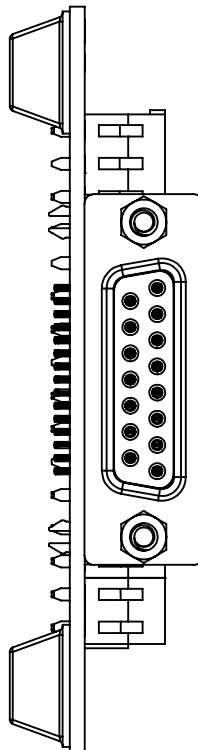


4

3

2

1

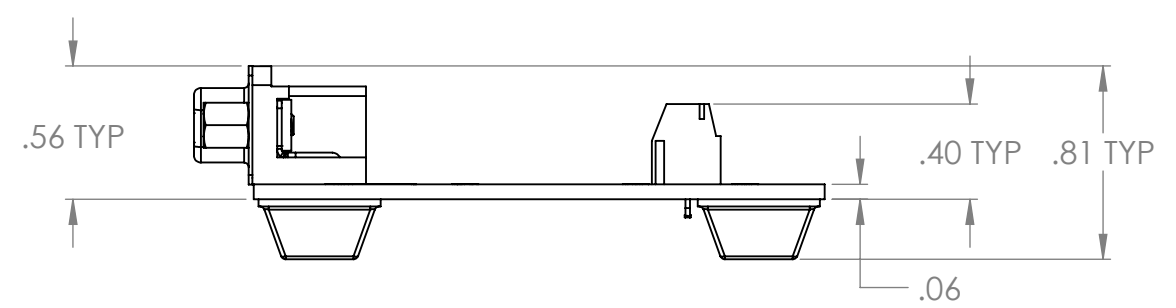
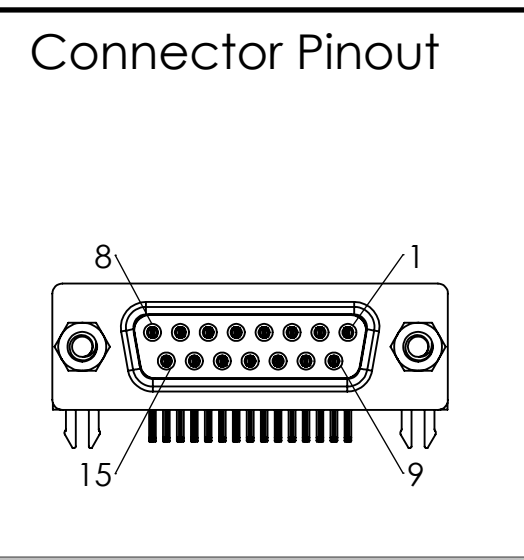



B

B

A

A



DIM: INCH	DATE: 11/09/2020	RoHS COMPLIANT: YES	DESCRIPTION: DB15 Female Screw Terminal Breakout Board	
		WINFORD ENGINEERING, LLC 4561 GARFIELD ROAD AUBURN, MI 48611	PART NUMBER (S) <b>BRK15F-R-FT</b>	
www.winford.com		989-671-9721	PART REVISION <b>B</b>	

4

3

2

1