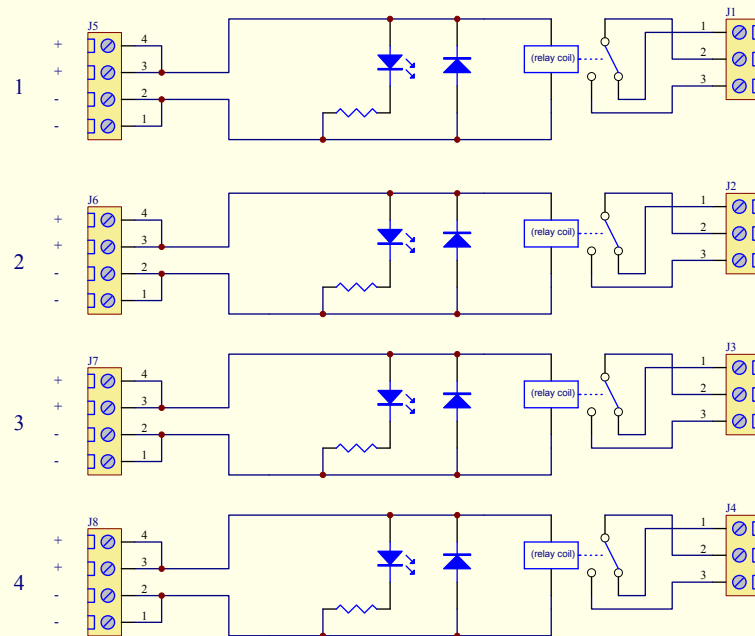


RLP104 Rev B Schematic

(This schematic accurately represents the circuit, but some individual components are combined in a single package on the product PCB)



RLP104 Rev B
4-RELAY BOARD
WINFORD ENGINEERING
www.winford.com